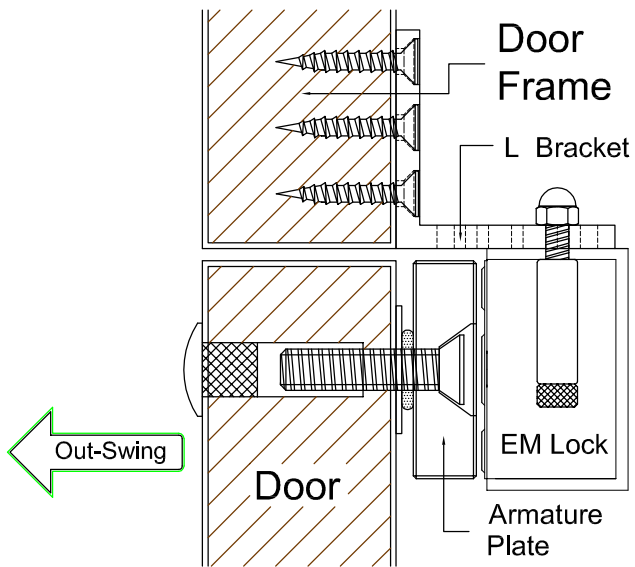
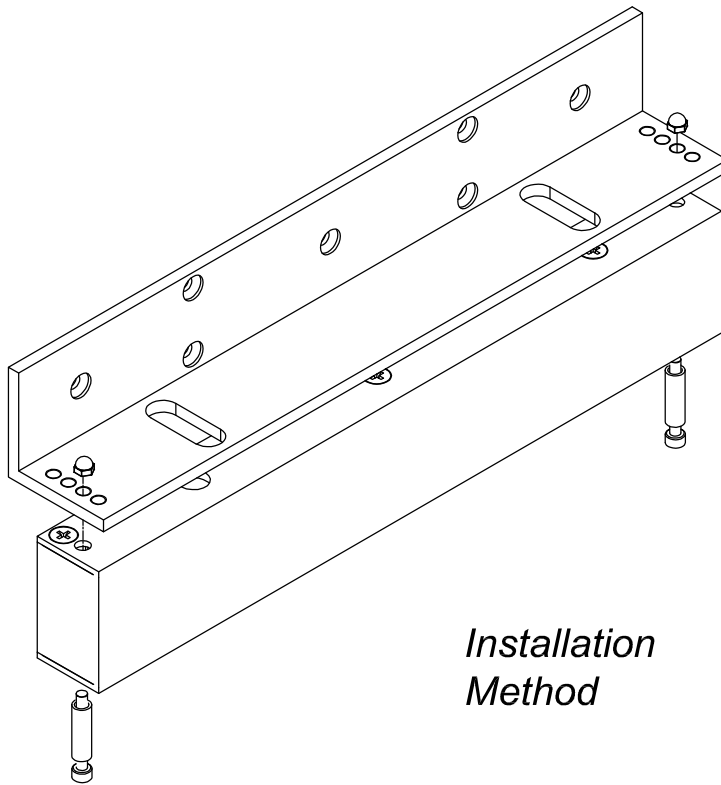
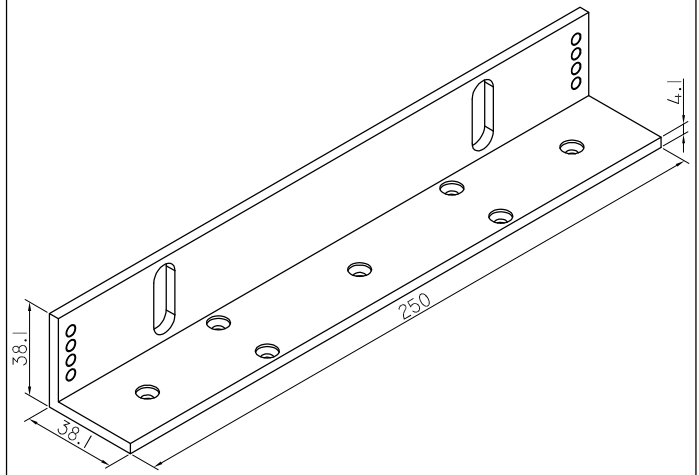


L Bracket

Bracket Application



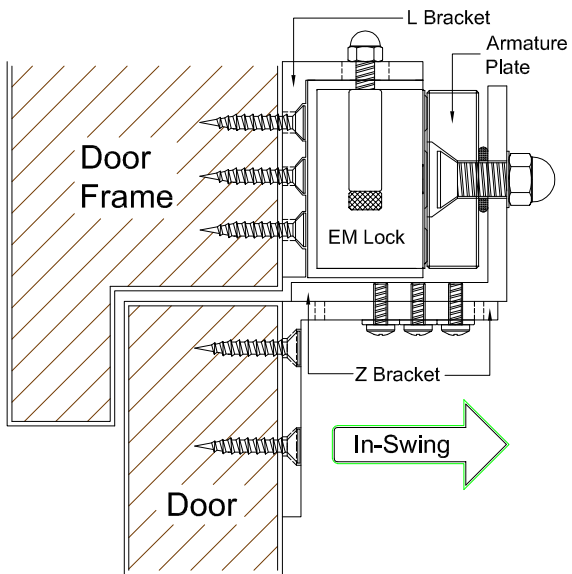
Specifications (Unit = mm)



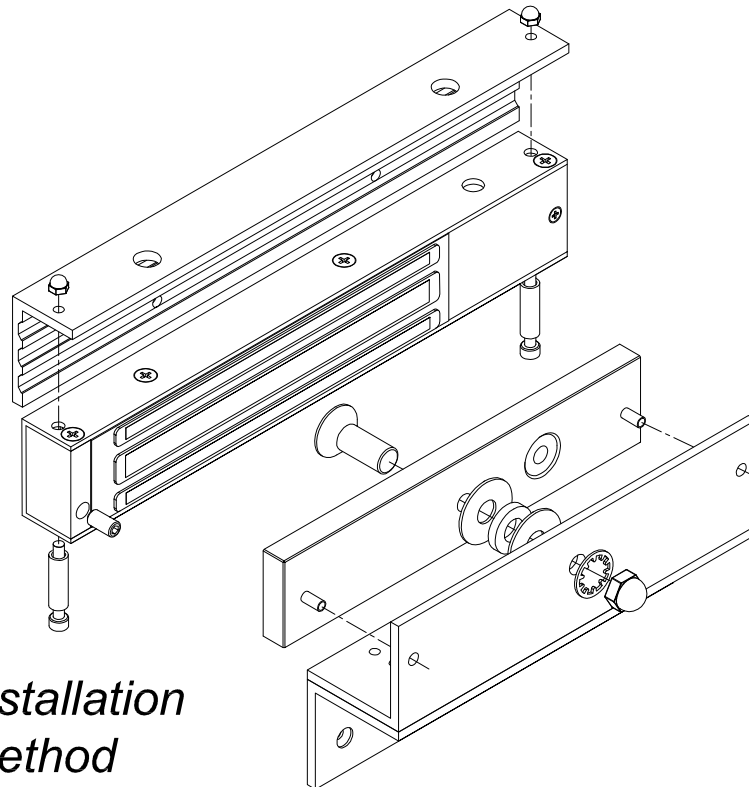
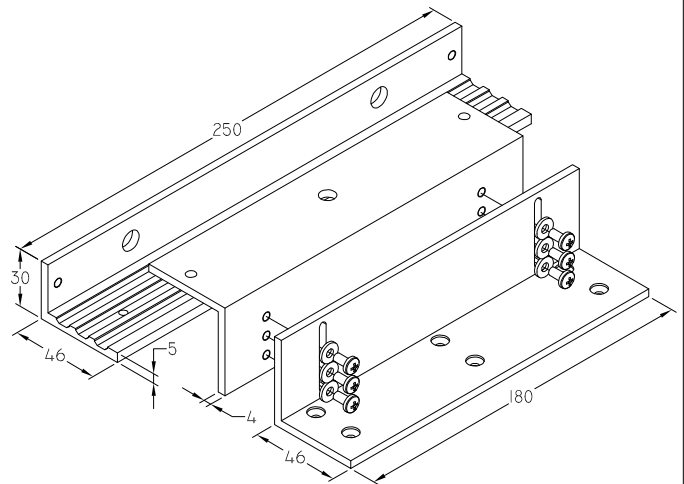
*Installation
Method*

ZL Bracket

Bracket Application



Specifications (Unit = mm)



*Installation
Method*